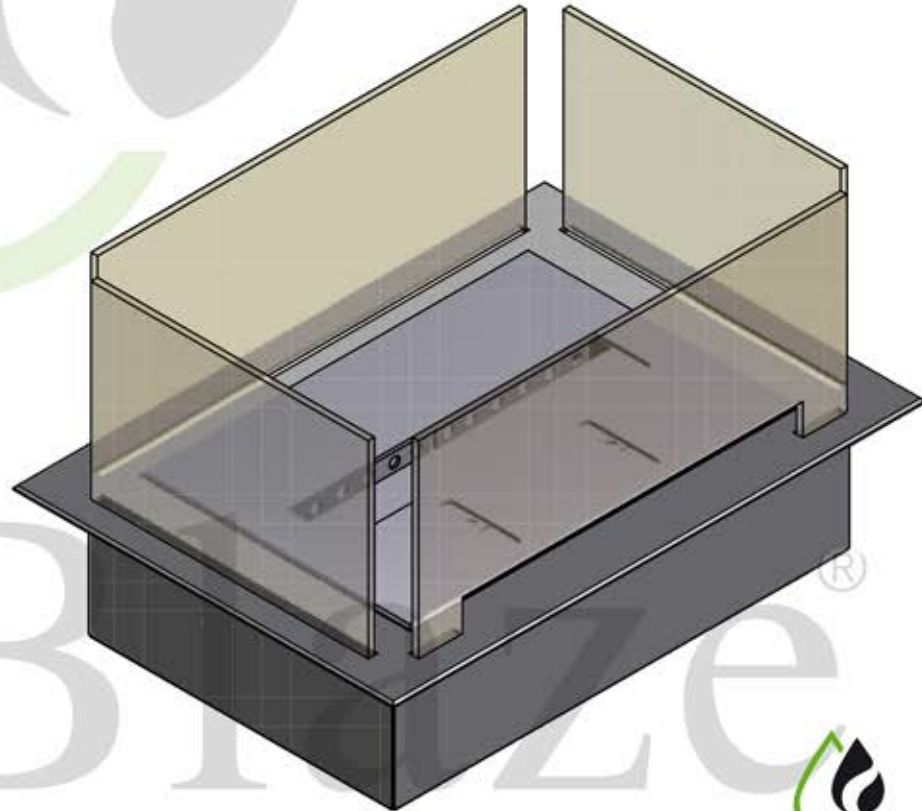


Measures are in mm



<b>Product Dimensions</b>	L 422 x H 100 (253) x D 302 mm L 16½" x H 4" (10") x D 12"
<b>Weight</b>	20 kg/ 44 lbs
<b>Burner</b>	2 L/ 2qts burner - adjustable flame
<b>Burning time</b>	+/- 6 hrs - 0.33 l/h/b - ¼ qt/h
<b>Heating Capacity</b>	2.8 KW/ 9553 BTU
<b>Minimum Room surface</b>	54 m³(roof 2.45 m) - 1906 ft³ (roof 8 ft)
<b>Advised air exchange</b>	every one hour for rooms < 110 m³- < 3884 ft³
<b>Last updated</b>	06/20/2013